

**使用行业**  食品行业  食用盐业  烟草行业  日化行业  电器行业  
 化工行业  仓储行业  电商行业  服装行业  其他\_\_\_\_\_

**设计结构参数**

输送方向:  提升  下降  可逆向

H1: \_\_\_\_\_mm ( 输送入口/出口高度)

H2: \_\_\_\_\_mm ( 输送出口/入口高度)

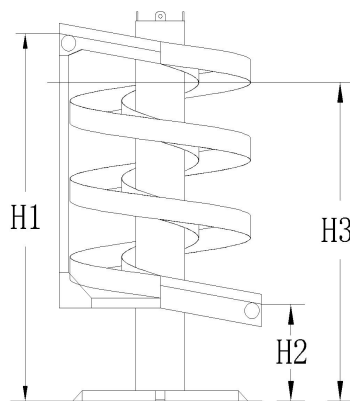
H3: \_\_\_\_\_mm ( 安装楼层高度, 含楼层厚度)

生产效率: \_\_\_\_\_m/min \_\_\_\_\_ B/H

输送宽度:

300mm/350mm  400mm/450mm  500mm/550mm

600mm/650mm  700mm/750mm  800mm/850mm



螺旋输送机标准旋转方向: \_\_\_\_\_型

360° ( 顺逆)  90° ( 顺逆)  180° ( 顺逆)  270° ( 顺逆)  其他出入口方向

I

II

III

IV

V

VI

VII

VIII



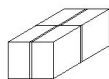
(定制需求说明)

输送通道多元化作用:  单入单出  多入口  多出口  双通道

输送形式:  动力  无动力  螺旋滑槽

主体材质:  碳钢  不锈钢  其他需求: \_\_\_\_\_

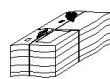
**输送物料规格**



纸箱



周转箱



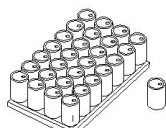
成捆物料



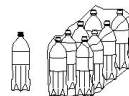
成卷杂刊



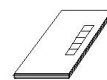
编织袋



易拉罐



膜包产品



其他物料

其他包装形式: \_\_\_\_\_

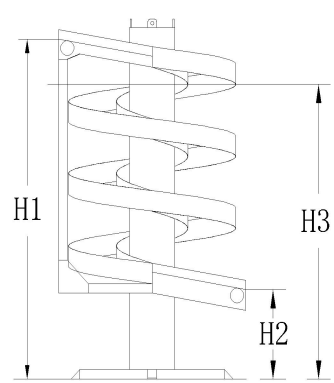
物料尺寸: \_\_\_\_\_ (L/W/H)

物料重量: MAX: \_\_\_\_\_KG ; MIN: \_\_\_\_\_KG

物料输送走向:  窄边向前输送  宽边向前输送  不规则输送

Using industry  
 Food industry    Salt industry    Tobacco industry    Daily chemical industry  
 Electrical appliance industry    Chemical industry    Warehousing industry  
 Electricity industry    Garment industry    Other industry\_\_\_\_\_

Conveying direction:  Lift    Drop    Can be reversed  
 H1: \_\_\_\_\_mm ( Conveying inlet/outlet height )  
 H2: \_\_\_\_\_mm ( Conveying inlet/outlet height )  
 H3: \_\_\_\_\_mm ( Installation floor height, including floor thickness )  
 Production efficiency: \_\_\_\_\_m/min   \_\_\_\_\_ B/H  
 Conveyor width:  
 300mm/350mm    400mm/450mm    500mm/550mm  
 600mm/650mm    700mm/750mm    800mm/850mm



Design structural parameters  
 Standard rotation direction of screw conveyor: \_\_\_\_\_ type  
 360° Rotate left or right /90° Rotate left or right /180° Rotate left or right /270° Rotate left or right

<input type="checkbox"/> I	<input type="checkbox"/> II	<input type="checkbox"/> III	<input type="checkbox"/> IV	<input type="checkbox"/> V	<input type="checkbox"/> VI	<input type="checkbox"/> VII	<input type="checkbox"/> VIII
----------------------------	-----------------------------	------------------------------	-----------------------------	----------------------------	-----------------------------	------------------------------	-------------------------------

Other entrance and exit directions: (Requirements can be customized)

Diversified role of conveying channel:  
 single entry single exit    multi-entrance    multi-exit    double channel

Transmission form:  power    no power    spiral chute

Main material:  carbon steel    stainless steel    Other\_\_\_\_\_

Transmission material grid

 <input type="checkbox"/> Cartons	 <input type="checkbox"/> Turnover box	 <input type="checkbox"/> Bundles	 <input type="checkbox"/> Miscellaneous
 <input type="checkbox"/> Woven bag	 <input type="checkbox"/> cans	 <input type="checkbox"/> Membrane	 <input type="checkbox"/> Other

Material siz: \_\_\_\_\_(L/W/H)   Weight: MAX: \_\_\_\_ KG ; MIN:\_\_\_\_KG

Conveying trend:  narrow side forward conveying  wide side forward conveying  irregular conveying